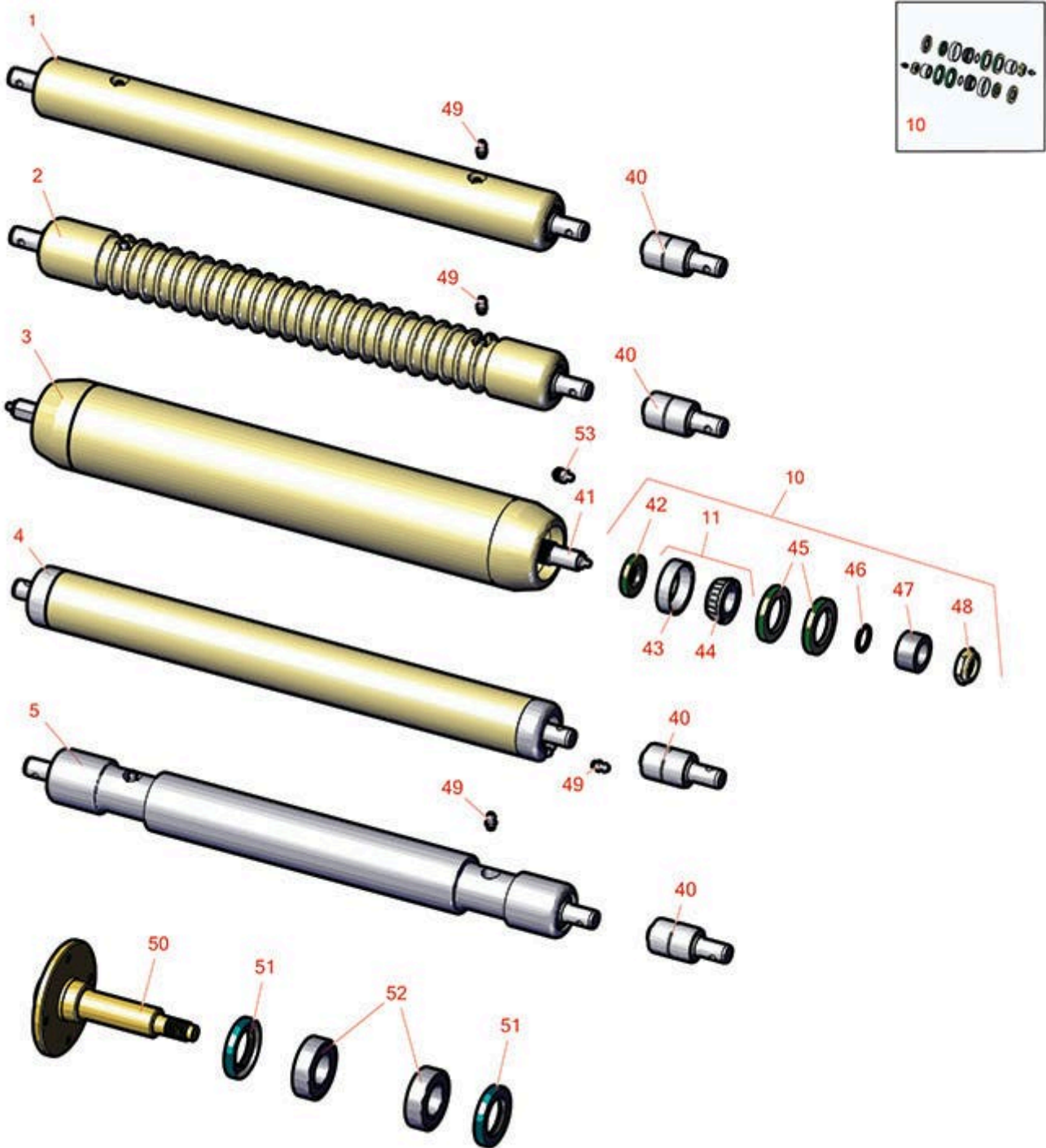




Replaces John Deere 180 E-Cut Hybrid Walk-Behind Greens Mower Parts

Cutting Unit
Rollers



All original equipment manufacturers names and part numbers are used for identification purposes only, and we are in no way implying that our products are original equipment parts. Prices subject to change without notice.



Replaces John Deere 180 E-Cut Hybrid Walk-Behind Greens Mower Parts

Cutting Unit
Rollers



Item No	R&R Part No.	OEM Part No.	Description	Qty Req	Order Quantity
---------	--------------	--------------	-------------	---------	----------------

Rollers

1	RAMT2786	AMT2786, AMT2981, BM20561	Roller - Smooth Solid Steel	1	
---	-----------------	---------------------------------	-----------------------------	---	--

Detail Description: Machined from solid steel, this heavy weight roller uses greasable "water-pump" style bearings.:

2	RAMT2784	AMT2784, AMT2979, BM20562	Roller - Grooved Machined Solid Steel	1	
---	-----------------	---------------------------------	---------------------------------------	---	--

Detail Description: Machined from solid steel, this heavy weight roller uses greasable "water-pump" style bearings.:

3	RTCA19509	TCA19509	Roller - Smooth Tubular Steel	1	
---	------------------	----------	-------------------------------	---	--

Detail Description: Constructed with a through shaft, this heavy duty roller uses greasable tapered bearings for extended life.:

4	RTCA19656	BM24203, BM24204, TCA19656	Roller - Smooth Tubular Steel	1	
---	------------------	----------------------------------	-------------------------------	---	--

5	RBUC10787	BUC10787	Roller - 2 in Solid	1	
---	------------------	----------	---------------------	---	--

Overhaul Kits

10	RAET10632	AET10632	Overhaul Kit - Roller	1	
----	------------------	----------	-----------------------	---	--

Detail Description: Includes 4 ea: RET15755 Seal; 2 ea: R237-54 O-Ring, R253-122 Seal, R254-78 Bearing, R254-79 Cup, R3296-15 Locknut, R471219 Grease Zerk, RET15726 Sleeve, RET15756 Seal:

11	R500534		Bearing - with Cup	2	
----	----------------	--	--------------------	---	--

Detail Description: Kit includes: 1 ea R254-78- Bearing Cone & R254-79 Bearing Cone:

Other Parts Available

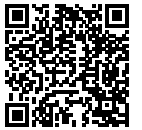
40	RAA35741	AA35741, AET10129, TCA22836	Bearing	2	
----	-----------------	-----------------------------------	---------	---	--

All original equipment manufacturers names and part numbers are used for identification purposes only, and we are in no way implying that our products are original equipment parts. Prices subject to change without notice.



Replaces John Deere 180 E-Cut Hybrid Walk-Behind Greens Mower Parts

Cutting Unit
Rollers



Item No	R&R Part No.	OEM Part No.	Description	Qty Req	Order Quantity
<i>Detail Description: 1/4" Side Hole:</i>					
41	RTC26890	TCU26890	Shaft - Roller	1	
42	RET15756	ET15756, MT1739, MT739	Seal	2	
43	R254-79	JD8226	Cup - Bearing	2	
<i>Detail Description: Use R254-79M installation mandrel to properly install race.:</i>					
44	R254-78	JD8188	Tapered Bearing Cone	2	
45	RET15755	ET15755	Seal - Oil	4	
46	R237-54	U46731, U6731	O-Ring - Small	2	
47	RET15726	ET15726, RET15726	Sleeve - Wear Hardened	2	
48	R3296-15	N101345	Locknut - 3/4-16 Nylon Jam	2	
49	R302-5	JD7797, JD7842, JD7844	Fitting - Grease	2	
50	RET11081	ET11081	Spindle - Traction Roller	1	
51	RET10285	ET10285	Seal	2	
52	R345050	AZ20217	Bearing	2	
53	R471219	471219, 471231, JD7759, JD7798	Zerk - Grease	2	

All original equipment manufacturers names and part numbers are used for identification purposes only, and we are in no way implying that our products are original equipment parts. Prices subject to change without notice.