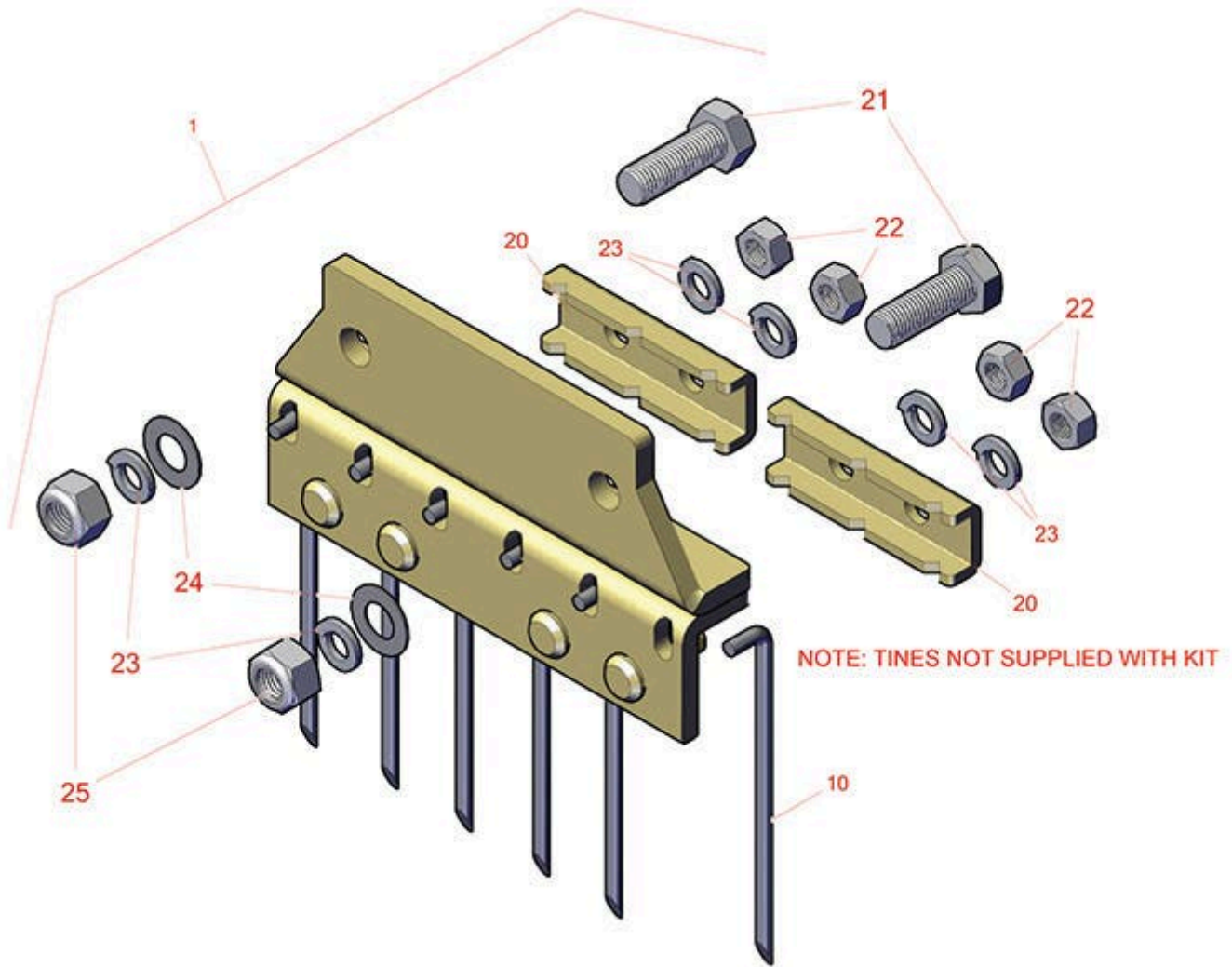




Replaces Toro ProCore 880 Parts

Aerating Unit

Needle Tine Head - Model 09720



All original equipment manufacturers names and part numbers are used for identification purposes only, and we are in no way implying that our products are original equipment parts. Prices subject to change without notice.



Replaces Toro ProCore 880 Parts

Aerating Unit

Needle Tine Head - Model 09720



Item No	R&R Part No.	OEM Part No.	Description	Qty Req	Order Quantity
---------	--------------	--------------	-------------	---------	----------------

Kit

1	R09720	09720, 104-0976	Needle Tine Holder - 6 Tine 5mm Mt	1	
---	---------------	--------------------	---------------------------------------	---	--

Tines

10	R100-3621	100-3621	Alloy Solid Needle Tine - .315MT x 7.380L x .315OD	6	
----	------------------	----------	---	---	--

Detail Description: Alloy Solid Tines aerate without the work of cleaning up the mess of cores and debris left behind with conventional core aerating. R&R Solid Tines are manufactured from a special high-carbon steel bar and heat treated to RC45-48 in our own heat treatment facility. They are available in all standard sizes but are especially popular in the smaller diameters for aerating in the summer months to relieve the stress on greens by allowing water, air and nutrients to easily flow into the root zone. With the combination of small holes and no cores, play can be resumed immediately.:

10	R100-3620	100-3620	Alloy Solid Needle Tine - .197MT x 6.430L x .197OD	6	
----	------------------	----------	---	---	--

Detail Description: Alloy Solid Tines aerate without the work of cleaning up the mess of cores and debris left behind with conventional core aerating. R&R Solid Tines are manufactured from a special high-carbon steel bar and heat treated to RC45-48 in our own heat treatment facility. They are available in all standard sizes but are especially popular in the smaller diameters for aerating in the summer months to relieve the stress on greens by allowing water, air and nutrients to easily flow into the root zone. With the combination of small holes and no cores, play can be resumed immediately.:

Other Parts Available

20	R104-0972	104-0972	Clamp - 6 Tine 5mm Mt 2 Req	2	
----	------------------	----------	-----------------------------	---	--

21	R33118-045	33118-045	Bolt - Hex HD M16-2.0 x 45	2	
----	-------------------	-----------	----------------------------	---	--

22	R104-9914	104-9914	Nut - Hex 12mm x 1.5	4	
----	------------------	----------	----------------------	---	--

23	R3253-7	01-166-0030, 01-166-0080, 01-166-0290, 01-166-0810, 23-13-GD, 3253-7, 48-9380	Washer - Lock 1/2	4	
----	----------------	---	-------------------	---	--

24	R33098-00	33098-00	Flatwasher - 16mm	2	
----	------------------	----------	-------------------	---	--

All original equipment manufacturers names and part numbers are used for identification purposes only, and we are in no way implying that our products are original equipment parts. Prices subject to change without notice.



Replaces Toro ProCore 880 Parts

Aerating Unit

Needle Tine Head - Model 09720



Item No	R&R Part No.	OEM Part No.	Description	Qty Req	Order Quantity
25	R33028-00	33028-00	Locknut - 16mm x 2.0 ESNA	2	

All original equipment manufacturers names and part numbers are used for identification purposes only, and we are in no way implying that our products are original equipment parts. Prices subject to change without notice.