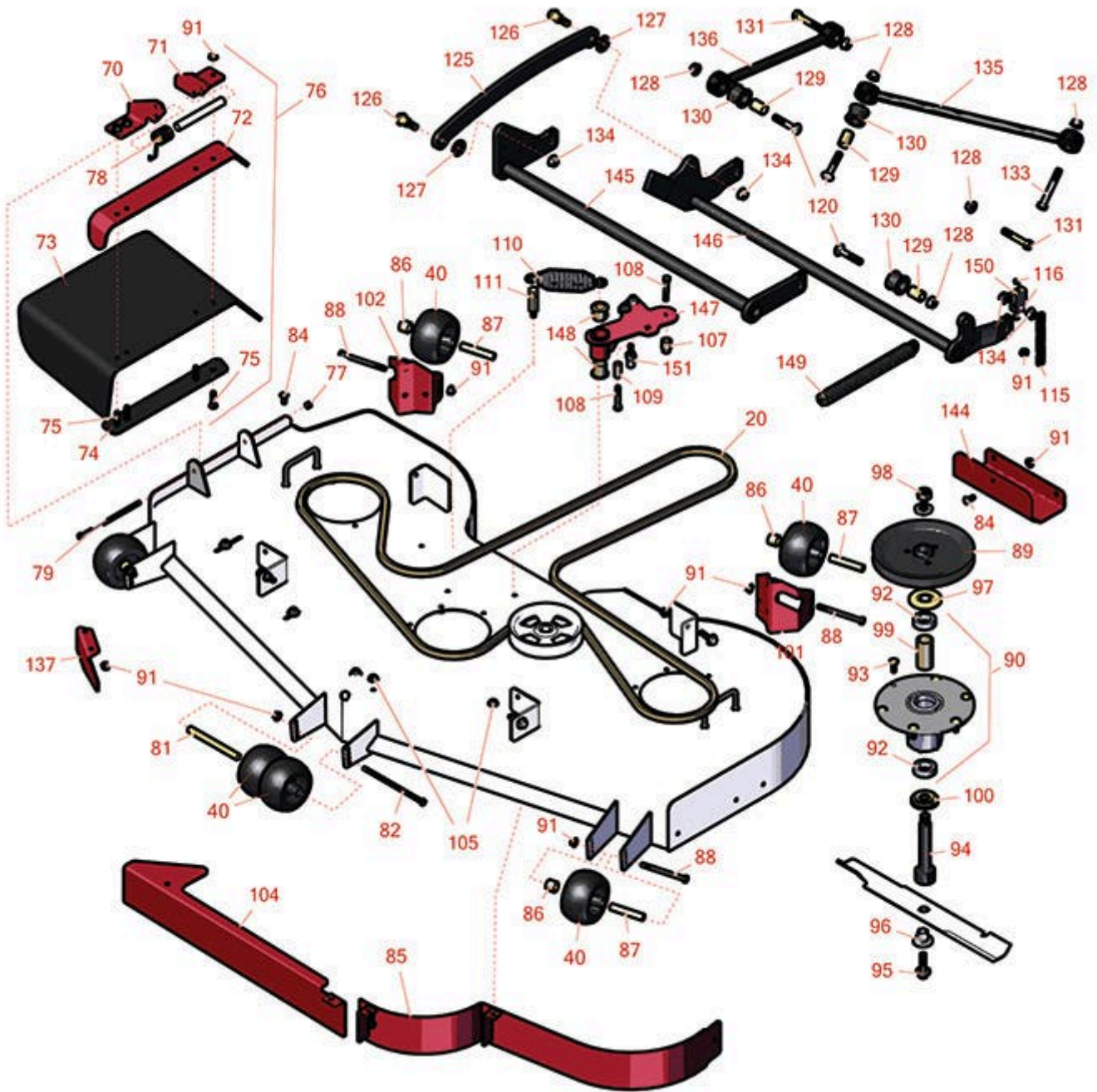




# Replaces Toro Z Master Professional 5000 Parts

Zero Turn Mower with 72in deck - Model 72918  
72in Rotary Deck



All original equipment manufacturers names and part numbers are used for identification purposes only, and we are in no way implying that our products are original equipment parts. Prices subject to change without notice.



# Replaces Toro Z Master Professional 5000 Parts

Zero Turn Mower with 72in deck - Model 72918  
72in Rotary Deck



Item No	R&R Part No.	OEM Part No.	Description	Qty Req	Order Quantity
<b>Belts</b>					
20	<b>R135-5777</b>	109-9023, 135-5777	Belt - V	1	
<b>Wheels</b>					
40	<b>R68-2730</b>	1-603299, 68-2730	Wheel - Anti Scalp	6	
<b>Other Parts Available</b>					
70	<b>R106-3253-01</b>	106-3253-01, 108-7766-03	Plate-Hinge, Front	1	
71	<b>R108-4059-01</b>	108-4059-01, 108-7767-03	Plate-Hinge, Rear	1	
72	<b>R106-3246-01</b>	106-3246-01	Deflector	1	
73	<b>R151416</b>	108-5029, 110-0759, 151416	Deflector - Long	1	
74	<b>R106-3248-03</b>	106-3248-03	Strap - Discharge	1	
75	<b>R3231-4</b>	01-157-0440, 01-173-0612, 3231-4	Bolt - Carriage 3/8-16 x 1-1/2	4	
76	<b>R108-2792</b>	108-2792	Rubber Deflector Assy	1	
77	<b>R3296-47</b>	3296-47	Locknut - 5/16-18 Jam Nyloc	1	
78	<b>R108-4052</b>	108-4052	Spring - Torsion	1	
79	<b>R322-50</b>	322-50	Bolt - Hx HD 5/16-18 x 7 1/2	1	
81	<b>R98-5967</b>	98-5967	Spacer-Wheel	1	
82	<b>R108-5388</b>	108-5388	Bolt - Hx HD 3/8-16 x 7 1/2	1	
84	<b>R3231-27</b>	3231-1, 3231-27	Bolt - Carriage 3/8-16 x 7/8	8	

All original equipment manufacturers names and part numbers are used for identification purposes only, and we are in no way implying that our products are original equipment parts. Prices subject to change without notice.



# Replaces Toro Z Master Professional 5000 Parts

Zero Turn Mower with 72in deck - Model 72918  
72in Rotary Deck



Item No	R&R Part No.	OEM Part No.	Description	Qty Req	Order Quantity
85	<b>R114-5843-01</b>	114-5843-01	Baffle	1	
86	<b>R98-7913</b>	98-7913	Spacer - Tube	4	
87	<b>R98-7912</b>	98-7912	Bushing - Spanner Wheel	4	
88	<b>R323-23</b>	01-150-0810, 01-178-0636, 20-60-AGD, 323-23	Bolt - Hex HD 3/8-16 x 4-1/2	4	
89	<b>R138-6060</b>	138-6060	Sheave - Blade Drive - 9 in	3	
90	<b>R137-9780</b>	137-9780	Spindle Assy	3	
91	<b>R104-8301</b>	104-8301, 104-9301, 109-6658, 133-7570	Locknut - 3/8-16 Nylon Flanged	45	
92	<b>R116-0720</b>	116-0720	Bearing - Ball - Special Triple Seal	6	
93	<b>R114-8195</b>	114-8195, R & R ONLY	Bolt- Ribbed Neck	18	
94	<b>R138-6045</b>	138-6045	Shaft - Spindle	3	
95	<b>R109-9220</b>	109-9220	Bolt - Sems 1/2-20	3	
96	<b>R137-9787</b>	137-9787	Bushing - Hex	3	
97	<b>R103-1330</b>	103-1330	Guard - Bearing - Top	3	
98	<b>R116-7306</b>		Hex Nut - 3/4-16 with Nyloc	3	
99	<b>R138-6042</b>	138-6042	Spacer-Bearing	3	
100	<b>R137-9784</b>	137-9784	Guard - Bottom	3	
101	<b>R106-7354-01</b>	106-7354-01	Mount - Wheel - LH	1	
102	<b>R106-7355-01</b>	106-7355-01	Mount - Wheel - RH	1	

All original equipment manufacturers names and part numbers are used for identification purposes only, and we are in no way implying that our products are original equipment parts. Prices subject to change without notice.



# Replaces Toro Z Master Professional 5000 Parts

Zero Turn Mower with 72in deck - Model 72918  
72in Rotary Deck



Item No	R&R Part No.	OEM Part No.	Description	Qty Req	Order Quantity
104	<b>R138-6051-01</b>	138-6051-01	Plate - Baffle	1	
105	<b>R32128-43</b>	30-8990, 32128-43, 3290-357	Nut - Flanged Whiz - 3/8-16	2	
107	<b>R112-4212</b>	112-4212	Mount-Pulley	1	
108	<b>R323-11</b>	01-150-1440, 01-178-0618, 20-52-AD, 3224-7, 323-11	Bolt - 3/8-16 x 2 1/4 GR5	2	
109	<b>R104-0151</b>	104-0151	Spacer	1	
110	<b>R116-6317</b>	116-0133, 116-6317	Spring - Extension	1	
111	<b>R114-5867</b>	114-5867	Anchor - Spring - Tall	1	
115	<b>R1-633447</b>	1-633447	Chain - Deck Lift	4	
116	<b>RP457-2</b>	01-191-0518, 22-12-AJK, 3218-2, 513299, P457-2	Nut - Jam 5/16-18 Zinc	8	
120	<b>R3233-34</b>	3233-34	Carriage Bolt - 1/2-13 x 2 1/2 Grade 5	3	
125	<b>R116-0797-03</b>	116-0797-03	Link-Lift - Deck	1	
126	<b>R116-0780</b>	116-0780	Bolt - Hx HD Fl Shoulder	2	
127	<b>R453022</b>	01-166-0480, 01-166-1220, 21-3880, 217-21, 30-8550, 30-9110, 3256-28, 3256-44, 46-9030, Mar-71	Washer - 3/4 SAE	2	

All original equipment manufacturers names and part numbers are used for identification purposes only, and we are in no way implying that our products are original equipment parts. Prices subject to change without notice.



# Replaces Toro Z Master Professional 5000 Parts

Zero Turn Mower with 72in deck - Model 72918  
72in Rotary Deck



Item No	R&R Part No.	OEM Part No.	Description	Qty Req	Order Quantity
128	<b>R32128-23</b>	32128-23, 3218-23, 99-5107	Nut - Lock Hex Flanged 1/2-13	6	
129	<b>R109-5010</b>	109-5010	Spacer	6	
130	<b>R109-5009</b>	109-5009	Bushing - Suspension - Rubber	6	
131	<b>R325-12</b>	01-150-0320, 01-150-0880, 01-178-0824, 20-93-AD, 325-12	Bolt - Hx HD	2	
133	<b>R325-17</b>	01-150-0640, 01-150-0850, 01-178-0832, 01-178-0836, 20-97-AGD, 325-17, 325-18, 48-9260	Bolt - Hex Head	1	
134	<b>R32128-37</b>	32128-37	Nut - 7-16-14 Hx Serr Fl	8	
135	<b>R109-5013</b>	109-5013	Panhard Rod Assy	1	
136	<b>R109-7952</b>	109-7952	Deck Strut Assy	2	
137	<b>R106-3216-01</b>	106-3216-01	Baffle - Discharge	1	
144	<b>R121-7975-01</b>	121-7975-01	Plate - Skid	1	
145	<b>R126-2475-03</b>	116-2217-03, 126-2475-03	Decklift - Front	1	
146	<b>R116-0459-03</b>	116-0459-03	Lift - Rear Deck	1	
147	<b>R114-5870</b>	114-5870	Idler Arm Assy with Bushings	1	
148	<b>R1-303514</b>	1-303514	Bearing - Flanged	2	
149	<b>R116-0000</b>	116-0000	Spring - Extension	1	

All original equipment manufacturers names and part numbers are used for identification purposes only, and we are in no way implying that our products are original equipment parts. Prices subject to change without notice.



# Replaces Toro Z Master Professional 5000 Parts

*Zero Turn Mower with 72in deck - Model 72918  
72in Rotary Deck*



Item No	R&R Part No.	OEM Part No.	Description	Qty Req	Order Quantity
150	<b>R109-9066</b>	109-9066	Yoke - Adjust - Deck	4	
151	<b>R132-4724</b>	132-4724	Pin - Spring Anchor	1	

All original equipment manufacturers names and part numbers are used for identification purposes only, and we are in no way implying that our products are original equipment parts. Prices subject to change without notice.