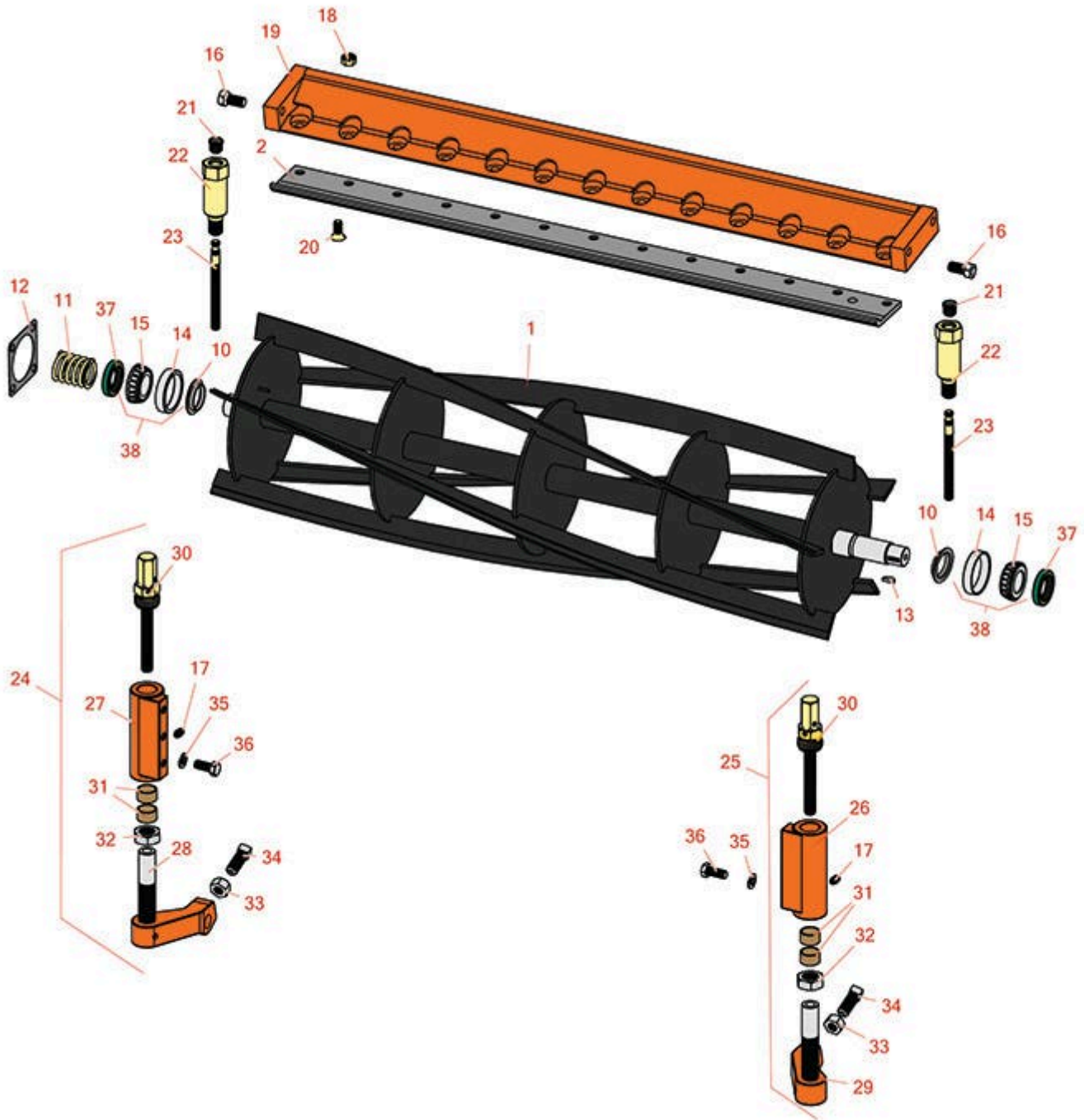




# Replaces Jacobsen ST-5111 Parts

Cutting Unit  
Reel & Bedknife



All original equipment manufacturers names and part numbers are used for identification purposes only, and we are in no way implying that our products are original equipment parts. Prices subject to change without notice.



# Replaces Jacobsen ST-5111 Parts

Cutting Unit  
Reel & Bedknife



Item No	R&R Part No.	OEM Part No.	Description	Qty Req	Order Quantity
---------	--------------	--------------	-------------	---------	----------------

## R&R Reels, Lifetime Guaranteed

1	<b>R503522</b>	503522	Reel - 5 Blade RH 9 Dia	3	
---	----------------	--------	-------------------------	---	--

*Detail Description: R&R Reel blades are expertly crafted from premium high carbon-boron alloy steel, heat-treated to perfectly complement both R&R and OEM bedknives. Each reel undergoes precision cylindrical grinding on bearing surfaces, followed by relief grinding for optimal performance. Advanced computer balancing ensures extended reel and bearing life. Backed by our lifetime guarantee against defects in materials and craftsmanship under normal use, R&R Reels deliver unmatched durability and cutting precision you can trust.:*

1	<b>R503523</b>	503523	Reel - 5 Blade LH 9 Dia	2	
---	----------------	--------	-------------------------	---	--

*Detail Description: R&R Reel blades are expertly crafted from premium high carbon-boron alloy steel, heat-treated to perfectly complement both R&R and OEM bedknives. Each reel undergoes precision cylindrical grinding on bearing surfaces, followed by relief grinding for optimal performance. Advanced computer balancing ensures extended reel and bearing life. Backed by our lifetime guarantee against defects in materials and craftsmanship under normal use, R&R Reels deliver unmatched durability and cutting precision you can trust.:*

1	<b>R503524</b>	503524	Reel - 10 Blade RH 9 Dia	3	
---	----------------	--------	--------------------------	---	--

*Detail Description: R&R Reel blades are expertly crafted from premium high carbon-boron alloy steel, heat-treated to perfectly complement both R&R and OEM bedknives. Each reel undergoes precision cylindrical grinding on bearing surfaces, followed by relief grinding for optimal performance. Advanced computer balancing ensures extended reel and bearing life. Backed by our lifetime guarantee against defects in materials and craftsmanship under normal use, R&R Reels deliver unmatched durability and cutting precision you can trust.:*

1	<b>R503525</b>	503525	Reel - 10 Blade LH 9 Dia	2	
---	----------------	--------	--------------------------	---	--

*Detail Description: R&R Reel blades are expertly crafted from premium high carbon-boron alloy steel, heat-treated to perfectly complement both R&R and OEM bedknives. Each reel undergoes precision cylindrical grinding on bearing surfaces, followed by relief grinding for optimal performance. Advanced computer balancing ensures extended reel and bearing life. Backed by our lifetime guarantee against defects in materials and craftsmanship under normal use, R&R Reels deliver unmatched durability and cutting precision you can trust.:*

## R&R Bedknives, Lifetime Guaranteed

2	<b>R503550</b>	331692, 503363, 503550	Bedknife - 30 in (13 Hole)	1	
---	----------------	------------------------------	----------------------------	---	--

All original equipment manufacturers names and part numbers are used for identification purposes only, and we are in no way implying that our products are original equipment parts. Prices subject to change without notice.



# Replaces Jacobsen ST-5111 Parts

Cutting Unit  
Reel & Bedknife



Item No	R&R Part No.	OEM Part No.	Description	Qty Req	Order Quantity
---------	--------------	--------------	-------------	---------	----------------

*Detail Description: R&R Bedknives are manufactured from high carbon-boron alloy steel and then hardened to RC46-49 to match the temper of our reel blades and original equipment reels. Bedknives are surface ground on the top and front edge and straightened three times before being packaged with oil for rust prevention. All R&R Bedknives now have an increased front edge grind for added life. All R&R Bedknives are guaranteed against defects in material and workmanship under normal use for the life of the part.:*

## Other Parts Available

10	<b>R364275</b>	364275	Disc - Reel Shaft	2	
11	<b>R350671</b>	350671	Spring - Reel	1	
12	<b>R345473</b>	345473	Gasket - Reel Motor	1	
13	<b>R463017</b>	463017	Key - Woodruff	1	
14	<b>R254-72</b>	313456	Cup - Bearing	2	
15	<b>R254-94</b>	313089	Tapered Bearing Cone	2	
16	<b>R315298</b>	315298	Bolt - Bed Bar	4	
17	<b>R302-5</b>	302-5, 471214, 471223, 471226	Fitting - Grease	2	
18	<b>R101271</b>	445684	Nut - Bedknife	13	
19	<b>R557618</b>	121499, 557618	Backing Bar - Bedknife	1	
20	<b>R101270</b>	402698, 403757	Screw - Bedknife 3/8-24 x 13/16	13	
21	<b>R472519</b>	472519	Plug - Adjusting Handle	2	
22	<b>R3003611</b>	3003611	Handle - Adjusting 3/8-24 Thread	2	
22	<b>R365994</b>	365994	Handle - Adjusting 3/8-16 Thread	2	
23	<b>R3004189</b>	3004189	Screw - Adjusting Reel 3/8-24 Thd	2	

All original equipment manufacturers names and part numbers are used for identification purposes only, and we are in no way implying that our products are original equipment parts. Prices subject to change without notice.



# Replaces Jacobsen ST-5111 Parts

Cutting Unit  
Reel & Bedknife



Item No	R&R Part No.	OEM Part No.	Description	Qty Req	Order Quantity
23	<b>R364265</b>	364265	Screw - Adjusting Reel 3/8-16 Thd	2	
24	<b>R132532</b>	132532	Height Adjustment Assy RH	2	
25	<b>R132533</b>	132533	Height Adjustment Assy LH	2	
26	<b>R163921</b>	163921	Body - Assy LH	2	
27	<b>R163920</b>	163920	Body - Assy RH	2	
28	<b>R131815</b>	131815	Bracket - Roller RH	2	
29	<b>R131814</b>	131814	Bracket - Roller LH	2	
30	<b>R163467</b>	163467	Screw - Assy. HOC Adj.	4	
31	<b>R304392</b>	304392	Bushing - Bronze	8	
32	<b>R3220-7</b>	443832	Nut - 3/4-16 Jam Zinc	4	
33	<b>R443818</b>	443818	Nut - 1/2-13 Hex Jam Zinc	4	
34	<b>R412003</b>	412003	Screw - 1/2-13 x 1-1/2 Sq HD	4	
35	<b>R3254-6</b>	3254-6, 446140, 446142	Washer - Lock 3/8	12	
36	<b>R400260</b>	400260	Bolt - Hex HD 3/8-16 x 7/8	12	
37	<b>R337593</b>	3000983, 337593	Seal	2	
38	<b>R500596</b>	500596	Tapered Bearing Set - Cup and Cone	2	

All original equipment manufacturers names and part numbers are used for identification purposes only, and we are in no way implying that our products are original equipment parts. Prices subject to change without notice.