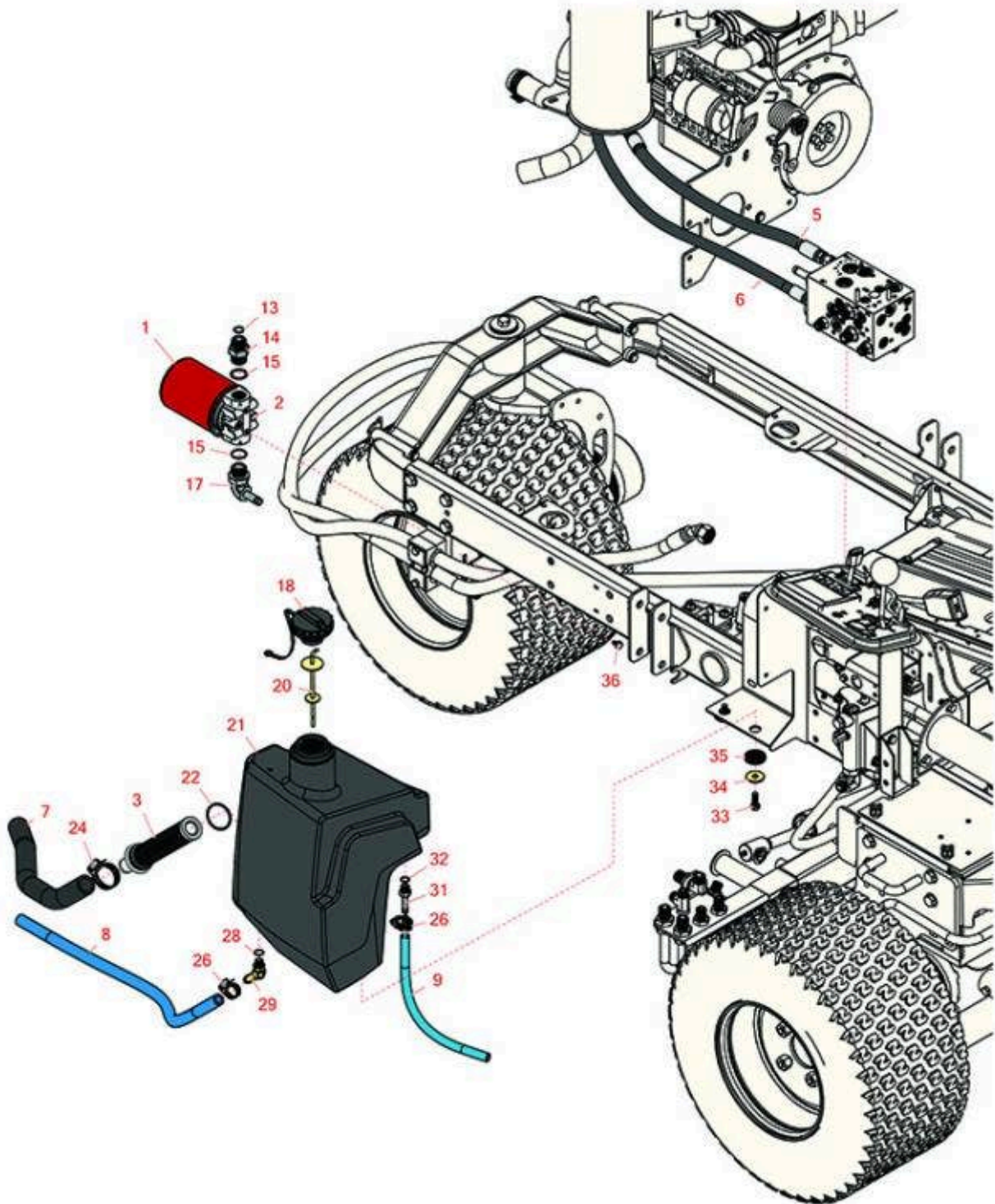




Replaces R&R Products Reel Max 331LP

Parts

Traction Unit
Hydraulic Tank



All original equipment manufacturers names and part numbers are used for identification purposes only, and we are in no way implying that our products are original equipment parts. Prices subject to change without notice.



Replaces R&R Products Reel Max 331LP

Parts

Traction Unit
Hydraulic Tank



Item No	R&R Part No.	OEM Part No.	Description	Qty Req	Order Quantity
---------	--------------	--------------	-------------	---------	----------------

Filters

1	R86-3010	R12-5270, R23-9740, R28-1370, R353-387, R522972, R54-0110, R549597, R76-6490, RZS48758	Baldwin Hydraulic Oil Filter	1	
1	RRF10611		SilverGuard Hydraulic Oil Filter	1	
2	R150924		Filter Head Assy	1	
3	R104-7546		Strainer - Tank	1	

Hoses

5	R95-8829		Hydraulic Hose Assy	1	
6	R106-4197		Hydraulic Hose Assy	1	
7	R104-4845		Hose - Suction	1	
8	R99-3501		Hose	1	
9	R104-4846		Hose	1	

Other Parts Available

13	R237-65		O-Ring	1	
14	R340-8		Adapter	1	
15	R237-81		O-Ring	2	
17	R95-8814		Fitting - Barbed 90 Deg	1	
18	R93-7160	R92-6342, R93-3103	Cap - Hyd Oil w/Tether	1	
20	R94-9411		Dipstick - Hyd Oil	1	

All original equipment manufacturers names and part numbers are used for identification purposes only, and we are in no way implying that our products are original equipment parts. Prices subject to change without notice.



Replaces R&R Products Reel Max 331LP

Parts

*Traction Unit
Hydraulic Tank*



Item No	R&R Part No.	OEM Part No.	Description	Qty Req	Order Quantity
21	R104-4840		Tank - Hyd	1	
22	R340-136		O-Ring	1	
24	R2412-3	R99-0782	Clamp - Hose - 1 1/16-2	2	
26	R2412-36	R2210-87, R31-9140, R93-5818, R99-0772	Clamp - Hose 1/2	4	
28	R237-79		O-Ring	1	
29	R354-126		Hydraulic Fitting - 45 Deg	1	
31	R353-979		Fitting - Straight	1	
32	R237-42	R31-4160, R339897	O-Ring	1	
33	R3234-11		Bolt - Hex Washer HD	4	
34	R63-8410	R53-6380, R63-4810	Washer - Isolator Bushing	4	
35	R240-11		Bushing - Rubber - Flanged	4	
36	R3234-13	R960151P	Bolt - Flanged Hex 1/4-20	2	

All original equipment manufacturers names and part numbers are used for identification purposes only, and we are in no way implying that our products are original equipment parts. Prices subject to change without notice.